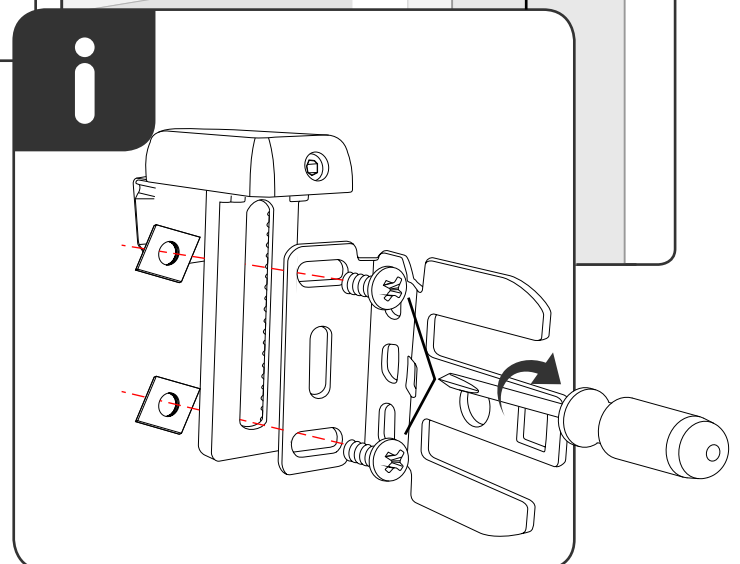
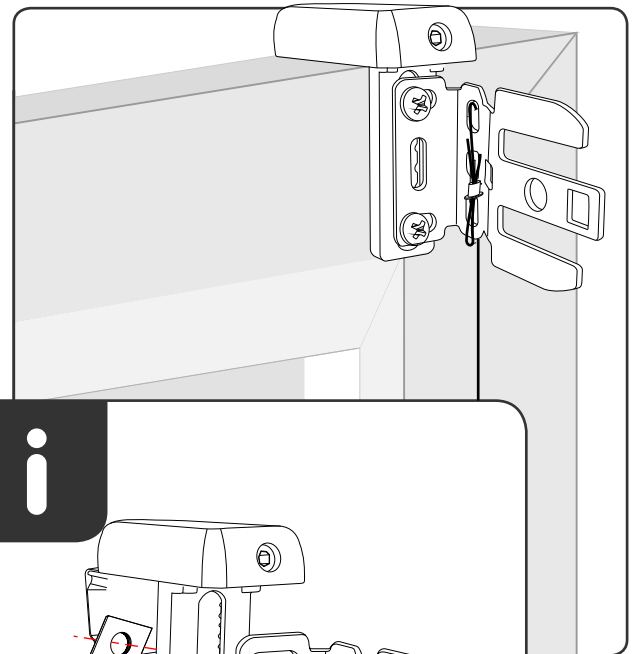
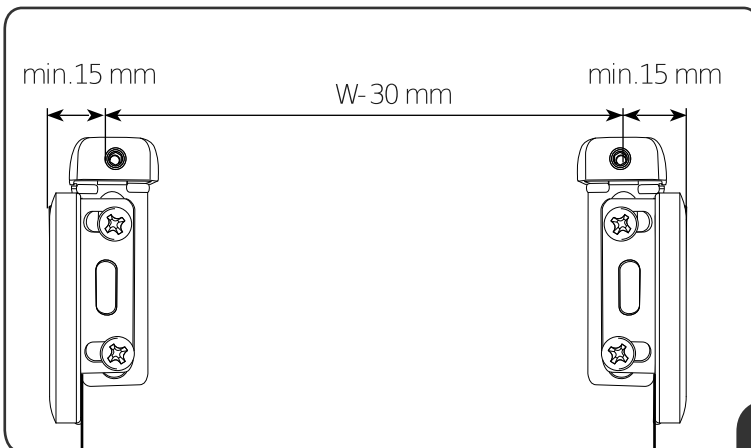
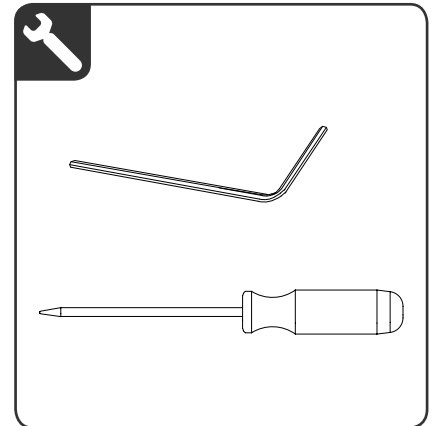
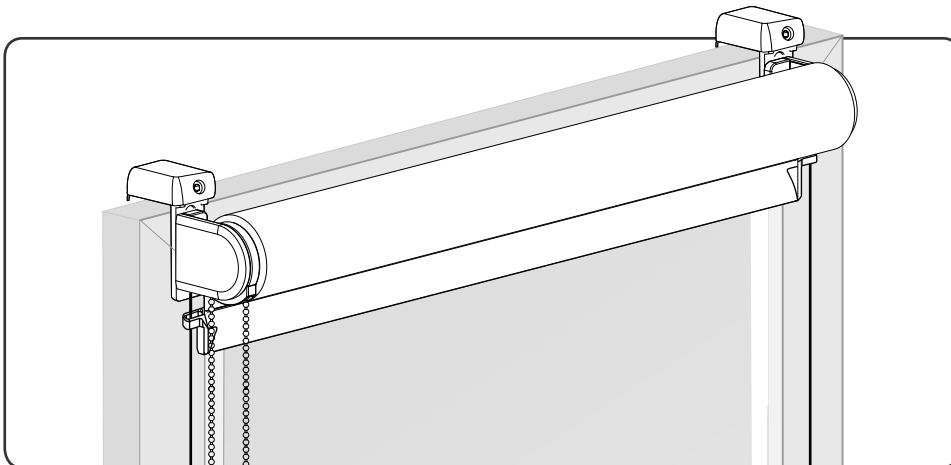
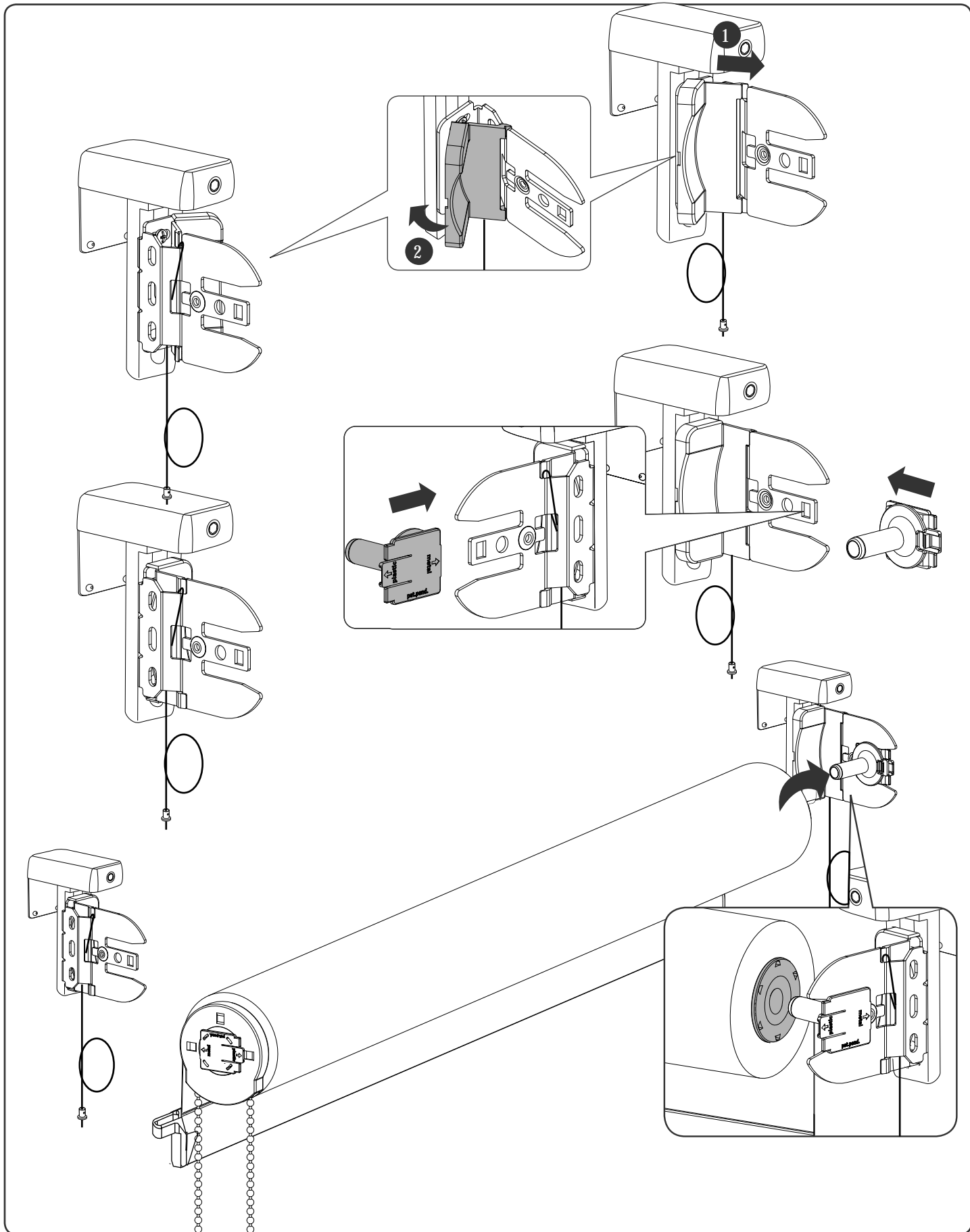


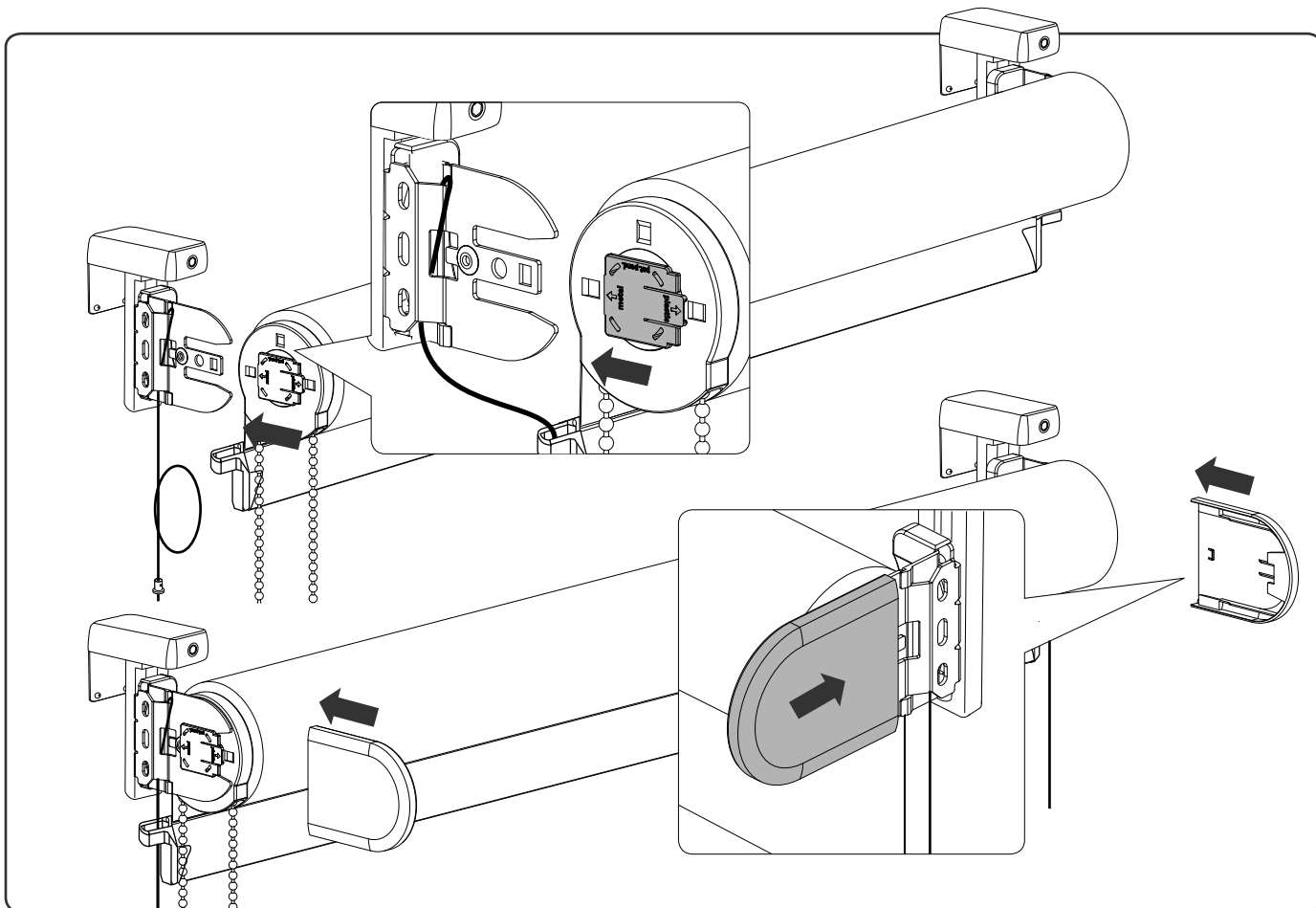
# Montageanleitung Rollo Absolute Modell R1 mit PVC-Klemmträgern und SEITENFUHRUNG




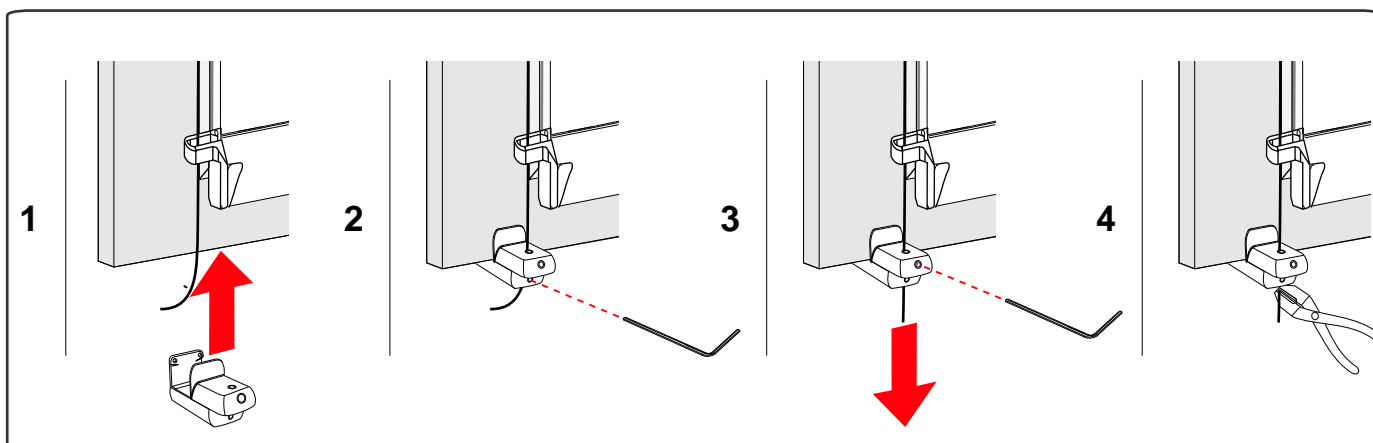
- Young children can strangle in the loop of pull cords, chains and tapes, and cords that operate window coverings.
- To avoid strangulation and entanglement, keep cords out of the reach of young children. Cords may become wrapped around a child's neck
- Move beds, cots and furniture away from window covering cords.
- Do not tie cords together. Make sure cords do not twist together and form a loop.








 Install the child safety device as specified in the childsafe manual.

# Removal

